

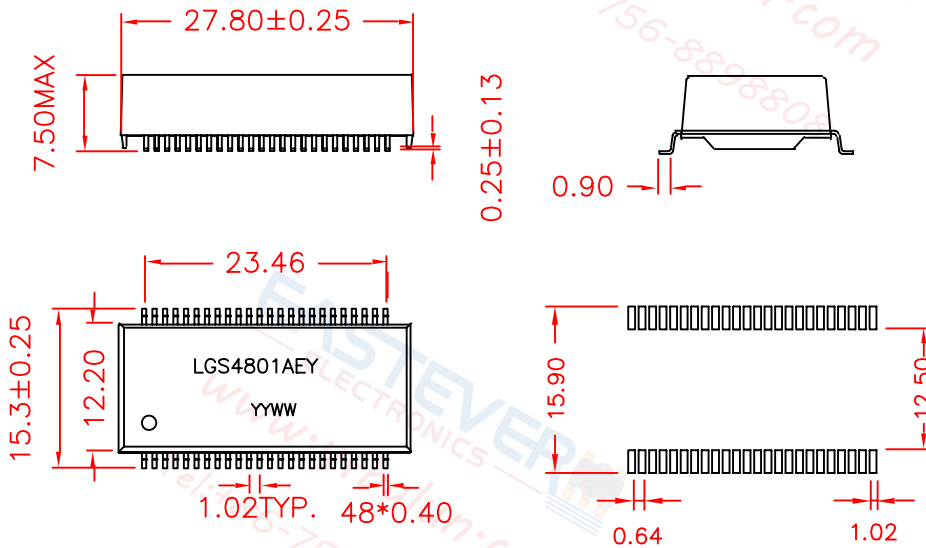
1000BASE-TX Dual Ports Magetics Module



Electrical Specifications: @25°C

Turns Ratio: PRI/SEC 1CT:1CT ±5%
 Isolation Voltage: 1500 Vrms (Input to Output)
 OCL: 350uH Minimum @100KHz 100mV 8mADC
 DCR:1.20 Ohms MAX
 LK(100KHZ,100mV):0.5uH MAX
 Insertion Loss: -1.0dB Maximum @100KHz - 100MHz
 Return Loss: -18dB Minimum @1MHz-30MHz
 -14dB Minimum @40MHz
 -13dB Minimum @50MHz
 -12dB Minimum @60MHz-80MHz
 -10dB Minimum @100MHz
 Crosstalk: - 40dB Min @30MHz / -33dB Min @60MHz / - 28dB Min @100MHz
 Differential to Common Mode Rejection:
 -43dB Min @30MHz / -37dB Min @60MHz / -33dB Min @ 100MHz
 Operating temperature range: 0°C to +70°C

Mechanicals:



SUGGESTED PCB PAD LAYOUT

Schematics:

